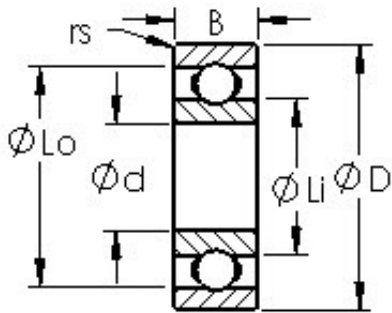




NTN-CPC Australia Pty Ltd



AST SR168 deep groove ball bearings

Bearing No. SR168

Bore Diameter	6,35 mm
Outer Diameter	9,525 mm
Width	3,175 mm
Bearing Type	Open
Bore Dia (d)	0.2500
Outer Dia (D)	0.3750
Width (B)	0.1250
Radius (min) (rs)	0.004
Dynamic Load Rating (Cr)	71
Static Load Rating (Cor)	31
Max Speed (Grease) (X1000 RPM)	48
Max Speed (Oil) (X1000 RPM)	56
Max. Shaft Shoulder Dia. Inner (Li)	0.3
Min. Housing Shoulder Dia., Outer (Lo)	0.3
Ball Qty	11
Ball Dia (Dw)	0.0394
Weight (g)	0.57
Precision	A1
Standard Clearance	K25
Material	Martensitic Stainless Steel

SR168 Bearing 2D drawings and 3D CAD models